

5. J104, J204 ARE CONNECTED PIN TO PIN BY 13-LINE RIBBON CABLE.
4. PART NUMBERING SCHEME
PARTS IN COMMON TO BOTH CH: 1-99. CH 1 PARTS 101-199, CH 2 PARTS 201-299.
3. COMPONENTS MARKED WITH Δ ARE SAFETY CRITICAL PARTS.
2. COMPONENTS WITH VALUE PREFIXED WITH A "*" REPRESENT SMT COMPONENTS.
1. THIS DRAWING USED IN CONJUNCTION WITH ASSEMBLY WP-001451-00

NOTES: UNLESS OTHERWISE SPECIFIED

QTY	ITEM NO.	PART NO.	DESCRIPTION	VENDOR
PARTS LIST				
UNLESS OTHERWISE SPECIFIED DIMENSIONS ARE IN INCHES. DIMENSIONS PER ANSI Y14.5-1982 TOLERANCES ARE: DECIMALS DECIMALS ANGLES .xx ± .xxx ± 0			CONTRACT NO.	
DRAWN PAT QUILTER			DATE 2-25-00	
CHECKED				
FINISH			ISSUED	
NEXT ASSY			CAD SEED FILE NO.	
USED ON			PLOT DATE: Fri May 05, 2000	
APPLICATION			DO NOT SCALE DRAWING	
WP-001451-00		RMX 1450	SCALE NONE	FSCM NO.
			CAD FILE NO.	DWG NO.
			SH1451R4.sch	SH-001451-00
				REV
				1

QSC AUDIO PRODUCTS, INC.
COSTA MESA, CALIFORNIA

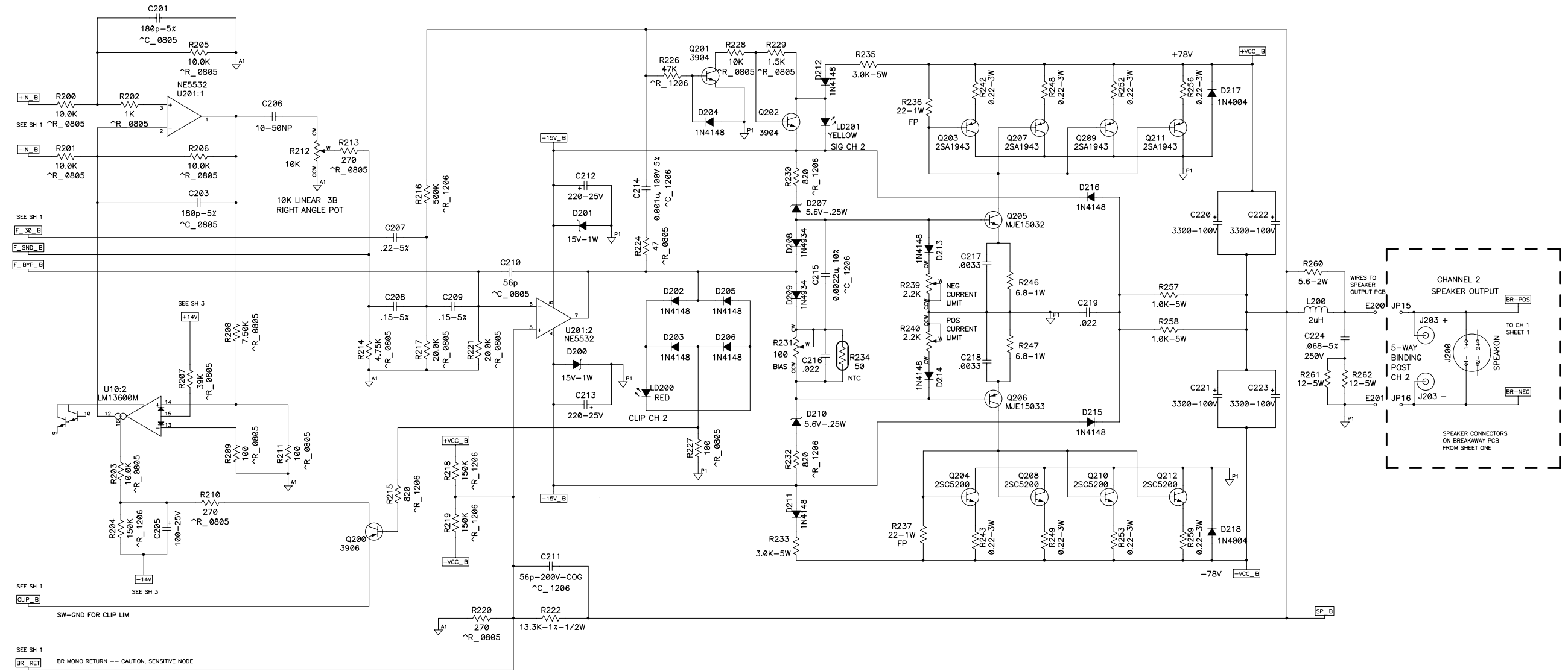
SCHEMATIC DIAGRAM
RMX 1450

SH-001451-00

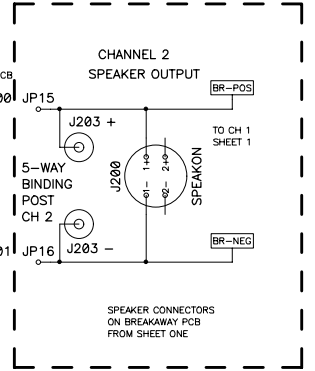
SHEET 1 OF 3
P:\GPE PRODUCTS\RMX-SERIES\QSC1450
PLOT DATE: Fri May 05, 2000

THIS DOCUMENT CONTAINS PROPRIETARY INFORMATION WHICH IS THE PROPERTY OF QSC AUDIO PRODUCTS. THAT MAY NOT BE DISCLOSED, REPRODUCED OR USED WITHOUT EXPRESS WRITTEN CONSENT FROM QSC AUDIO PRODUCTS.

CHANNEL-2



SW-GND FOR CLIP LIM
SEE SH 1
BR_MONO_RETURN --- CAUTION, SENSITIVE NODE



NOTES: UNLESS OTHERWISE SPECIFIED

SIZE	FSCM NO.	DWG NO.	REV
D		SH-001451-00	
SCALE	NONE	CAD FILE NO. SH1451R4.sch	SHEET 2 OF 3
PLOT DATE:		1	
Fri May 05, 2000			

2 SH-001451-00

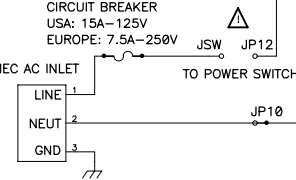
THIS DOCUMENT CONTAINS PROPRIETARY INFORMATION WHICH IS THE PROPERTY OF QSC AUDIO PRODUCTS. THAT MAY NOT BE DISCLOSED, REPRODUCED OR USED WITHOUT EXPRESS WRITTEN CONSENT FROM QSC AUDIO PRODUCTS.

AC VOLTAGE PROGRAMMING TERMINALS

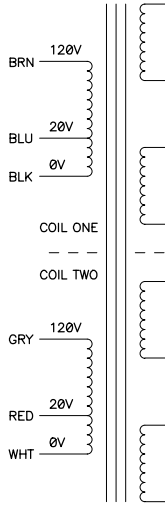
AC INPUT, HIGH (ALL)

100V	120V	240V
BRN	BRN	BRN
GRY	GRY	-
BLK	BLU	BLU
-	-	BLK
-	-	GRY
WHT	RED	RED
BLU	BLK	-
RED	WHT	WHT

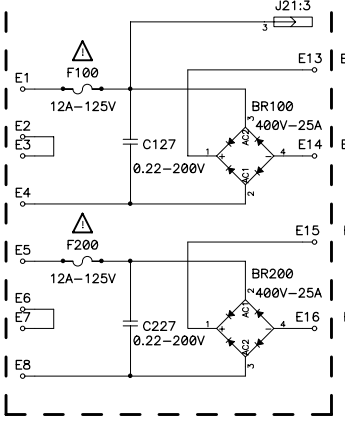
AC INPUT, LOW (ALL)



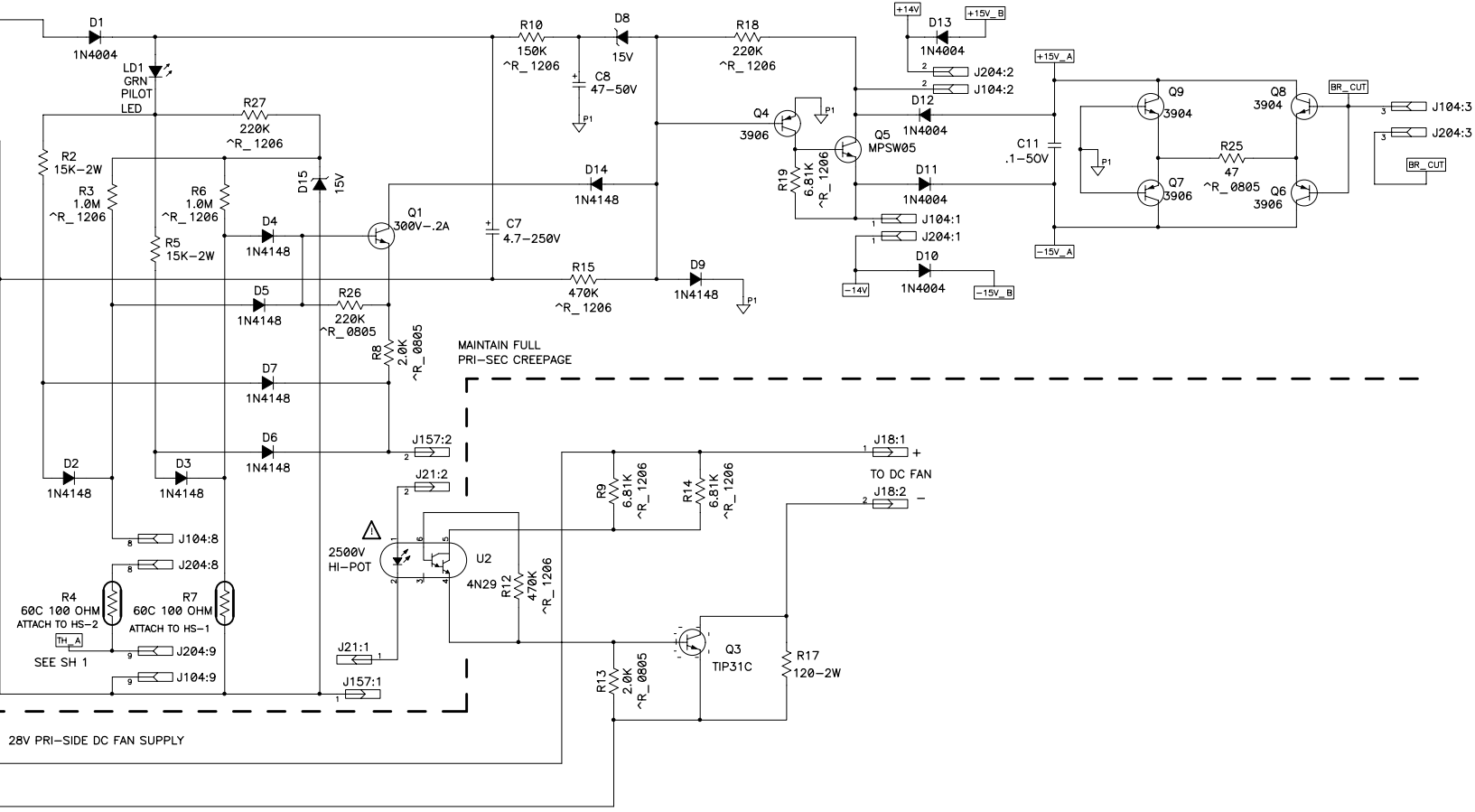
U-I CORE POWER TRANSFORMER
NOTE SPLIT SECONDARY WIRING FROM EACH LEG TO EACH CHANNEL



RECTIFIERS BR100, 200 AND C127-227 ARE LOCATED OFF THE MAIN PCB, MOUNTED TO CHASSIS.



MUTING AND THERMAL PROTECTION.



NOTES: UNLESS OTHERWISE SPECIFIED

SIZE D	FSCM NO.	DWG NO. SH-001451-00	REV
SCALE NONE	CAD FILE NO. SH1451R4.sch	SHEET 3 OF 3	
PLOT DATE: Fri May 05, 2000		1	

3 SH-001451-00



A U D I O

RMX 1450 Replacement Parts

QSC part #	Description	Qty.	Notes or Component Reference
------------	-------------	------	------------------------------

Misc.

1806-2506-0	POWER TRANSFORMER, 1200	1	
2113-1144-0	AC INLET	1	
4134-9101-0	METAL WIND GUIDE	1	
4154-0361-0	FAN GUIDE	1	
5200-4717-0	ROCKER POWER SWITCH	1	
5200-3531-0	CIRCUIT BREAKER 15A	1	For 120V models
5200-4731-0	CIRCUIT BREAKER 8A	1	For 230V models
7010-9640-0	AC CORD SET 15A	1	For 120V models
7009-8620-0	POWER CORD SET CE	1	For 230V models
8900-9050-1	DC FAN 24V 80X80 (+5V)	1	

AC Board

153R-224K-5-Y1	CM 250V 0.22uF 10% RL	2	C127, C227
157Q-108M-5-X9E	CE 35V 1000UF 20% RL	1	C6
3130-9270-0	IC 4N29	1	U2
4134-8851-0	FUSE HOLDER (DIA.6.3MM)	4	REF: F100, F200
4701-202J-C	RCF 1/8W 2K 5% ATS	1	R13
4701-474J-C	RCF 1/8W 470K 5% ATS	1	R12
4701-682J-C	RCF 1/8W 6.8K 5% ATS	2	R9, R14
4719-121J-1-X	RMF 2W 120R 5% AL METAL	1	R17
4840-1760-0	DIODE RECT 1A 200V DB103	1	BR1
4840-2150-0	BRIDGE RECTIFIER 400V	2	BR100, BR200
4860-2620-5	TR TIP31C SAMSUNG	1	Q3
5120-0061-0	FUSE T12A/250V 6.3X32MM	2	F100, F200
5400-0831-0	HEATSINK	1	REF: Q3
8910-0273-0	POLYSWITCH 0.15 ohm 1.1A	1	R1
8910-0275-0	THERMAL NTC 30A 1 ohm	1	R21

Channel 1 module

153F-223J-5-LQ	CM 50V 0.022UF 5% RL	2	C116, C119
153F-332J-5-KW	CM 50V 3300pF 5% RL 6x12	2	C117, C118
153R-683J-5-WWM	CM 250V 0.068u 5% RL	1	C124
157F-476M-5-LU	CE 50V 47uF 20% RL	1	C8
157R-475M-5-OV	CE 250V 4.7u 20% RL	1	C7
1804-1040-0	SPRNG COIL 2uH(14gaWIRE)	1	L100
3700-4531-G	LED 04mm GREEN W/STAND	1	LD1
4718-220J-2-P	RMF 1W 22R 5% AT FP	2	R136, R137
4718-6R8J-1-X	RMF 1W 6.8R 5% AL METAL	2	R146, R147
4719-153J-1-X	RMF 2W 15K 5% AL METAL	2	R2, R5
4719-5R6J-1-X	RMF 2W 5.6R 5% AL METAL	1	R160

QSC part #	Description	Qty.	Notes or Component Reference
471A-022K-5-N	RMF 3W 0.22R 10% RL RGC3	8	R142, R143, R148, R149, R152, R153, R156, R159
471B-102J-1-X	RMF 5W 1K 5% AL METAL	2	R157, R158
471B-120J-1-X	RMF 5W 12R 5% AL METAL	2	R161, R162
471B-302J-1-X	RMF 5W 3K 5% AL METAL	2	R133, R135
4756-1016-3-06	SVR H6 100R RH0615C	1	R131
4756-2226-3-06	SVR 2.2K H3 7X7.6 R0615C	2	R139, R140
4804-0040-1	DIODE IN4004 AL	5	D1, D11, D12, D117, D118
4804-9340-2	DIODE IN4934 AT	2	D108, D109
4837-5B10-2	DZ 1/2W 5.5-5.8V AT	2	D107, D110
4838-15V6-2	DZ 1W 15V AT TEMIC	D8, D15	
4860-5020-5	TR MJE15032	1	Q105
4860-5030-5	TR MJE15033	1	Q106
4860-5050-5	TR 2SC5200 T0-3P (L)	4	Q104, Q108, Q110, Q112
4860-5060-5	TR 2SA1943 T0-3P (L)	4	Q103, Q107, Q109, Q111
4860-8890-0	TR MPS A06 VCE 80V NS	1	Q5
8910-0272-0	CE 100V 3300u 20% 25X50	4	C120-C123
8910-0274-0	THERMAL PTC 60C 100 ohm	1	R7
8910-0488-0	ROD THERMISTOR NTC 50ohm	1	R134

SMT parts

150F-222K-6-CF	CC 50V 2200pF 10% 1206 1	1	C115
150H-102J-6-CF	CC 100V 0.001U 5% 1206	1	C114
4720-103J-J	RMG 1/10W 10K 5% 0805	1	R128
4720-152J-J	RMG 1/10W 1.5K 5% 0805	1	R129
4720-202J-J	RMG 1/10W 2K 5% 0805	1	R8
4720-224J-J	RMG 1/10W 220K 5% 0805	1	R26
4720-470J-J	RMG 1/10W 47R 5% 0805	2	R25, R124
4721-105J-6	RMG 1/8W 1M 5% 1206	2	R3, R6
4721-154J-6	RMG 1/8W 150K 5% 1206	1	R10
4721-224J-6	RMG 1/8W 220K 5% 1206	2	R18, R27
4721-473J-6	RMG 1/8W 47K 5% 1206	1	R125
4721-474J-6	RMG 1/8W 470K 5% 1206	1	R15
4721-682J-6	RMG 1/8W 6.8K 5% 1206	1	R19
4721-821J-6	RMG 1/8W 820R 5% 1206	2	R130, R132
4804-1480-3	DIODE LL4148 SM	15	D2-D7, D9, D14, D104, D111-D116
4853-9060-3	TR 3906 PNP SM	3	Q4, Q6, Q7
4860-0640-3	TR 3904 HFE 100-300 SM	4	Q8, Q9, Q101, Q102
4860-5110-3	TR KST42	1	Q1

Channel 2 module

153F-154J-5-NLM	CM 50V 0.15UF 5% RL	4	C108, C109, C208, C209
153F-223J-5-LQ	CM 50V 0.022UF 5% RL	2	C216, C219
153F-224J-5-NLM	CM 50V 0.22UF 5% RL	2	C107, C207
153F-332J-5-KW	CM 50V 3300pF 5% RL 6x12	2	C217, C218
153R-683J-5-WWM	CM 250V 0.068u 5% RL	1	C224
157E-107M-5-KW	CE 25V 100uF 20% RL 6x12	2	C105, C205
157E-227M-5-PU	CE 25V 220uF 20% RL	4	C112, C113, C212, C213
157F-106M-5-LUN	CE 50V 10uF 20% RL	2	C106, C206
1804-1040-0	SPRNG COIL 2uH(14gaWIRE)	1	L200
2101-1991-0	8 PIN IC SOCKET DIP	2	REF: U101, U201
3130-2430-0	IC-NE5532 OPER. AMP PHIL	2	U101, U201
3700-4529-R	LED 04mm RED W/STAND	2	LD100, LD200
3700-4530-Y	LED 04mm YELLOW W/STAND	2	LD101, LD201
471A-022K-5-N	RMF 3W 0.22R 10% RL RGC3	8	R242, R243, R248, R249, R252, R253, R256, R259
471B-102J-1-X	RMF 5W 1K 5% AL METAL	2	R257, R258

QSC part #	Description	Qty.	Notes or Component Reference
471B-120J-1-X	RMF 5W 12R 5% AL METAL	2	R261, R262
471B-302J-1-X	RMF 5W 3K 5% AL METAL	2	R233, R235
4717-1132-2	RMF 1/2W 11.3K 1% AT	1	R123
4717-1332-2	RMF 1/2W 13.3K 1% AT	2	R122, R222
4718-220J-2-P	RMF 1W 22R 5% AT FP	2	R236, R237
4718-6R8J-1-X	RMF 1W 6.8R 5% AL METAL	3	R20, R246, R247
4719-5R6J-1-X	RMF 2W 5.6R 5% AL METAL	1	R260
4750-6200-0	VR V012CPH, D-SHAFT 10K	2	R112, R212
4756-1016-3-06	SVR H6 100R RH0615C	1	R231
4756-2226-3-06	SVR 2.2K H3 7X7.6 R0615C	2	R239, R240
4804-0040-1	DIODE IN4004 AL	4	D10, D13, D217, D218
4804-9340-2	DIODE IN4934 AT	2	D208, D209
4837-5B10-2	DZ 1/2W 5.5-5.8V AT	2	D207, D210
4838-15V6-2	DZ 1W 15V AT TEMIC	4	D100, D101, D200, D201
4860-5020-5	TR MJE15032	1	Q205
4860-5030-5	TR MJE25033	1	Q206
4860-5050-5	TR 2SC5200 T0-3P (L)	4	Q204, Q208, Q210, Q212
4860-5060-5	TR 2SA1943 T0-3P (L)	4	Q203, Q207, Q209, Q211
8910-0272-0	CE 100V 3300u 20% 25X50	4	C220-C223
8910-0274-0	THERMAL PTC 60C 100 ohm	1	R4
8910-0488-0	ROD THERMISTOR NTC 50ohm	1	R234

SMT Parts

150F-104K-6-CF	CER2 1206 X7R 50V 100N	3	C100, C102, C104
150F-181K-J-BD	CC 50V 180P 10% 0805	4	C101, C103, C201, C203
150F-222K-6-CF	CC 50V 2200pF 10% 1206 1	1	C215
150F-560K-J-BD	CC 50V 56pF 10% 0805 1.2	2	C110, C210
150H-102J-6-CF	CC 100V 0.001U 5% 1206	1	C214
15CG-560J-6-CF	CTC 0/30 56P 5% 1206	2	C111, C211
3131-9730-0	IC NE5517D	1	U10
4720-101J-J	RMG 1/10W 100R 5% 0805	6	R109, R110, R127, R209, R211, R227
4720-102J-J	RMG 1/10W 1K 5% 0805	3	R102, R126, R202
4720-103A-J	RMG 1/10W 10K 1% 0805	8	R100, R101, R105, R106, R200, R201, R205, R206
4720-103J-J	RMG 1/10W 10K 5% 0805	3	R103, R203, R228
4720-152J-J	RMG 1/10W 1.5K 5% 0805	1	R229
4720-203A-J	RMG 1/10W 20K 1% 0805	4	R117, R121, R217, R221
4720-271J-J	RMG 1/10W 270R 5% 0805	6	R111, R113, R120, R210, R213, R220
4720-332J-J	RMG 1/10W 3.3K 5% 0805	1	R24
4720-393J-J	RMG 1/10W 39K 5% 0805	2	R107, R207
4720-470J-J	RMG 1/10W 47R 5% 0805	1	R224
4720-472J-J	RMG 1/10W 4.7K 5% 0805	2	R114, R214
4720-752J-J	RMG 1/10W 7.5K 5% 0805	2	R108, R208
4721-154A-6	RMG 1/8W 150K 1% 1206	4	R118, R119, R218, R219
4721-154J-6	RMG 1/8W 150K 5% 1206	2	R104, R204
4721-333J-6	RMG 1/8W 33K 5% 1206	2	R22, R23
4721-473J-6	RMG 1/8W 47K 5% 1206	1	R225
4721-4993-6	RMG 1/8W 499K 1% 1206	2	R116, R216
4721-821J-6	RMG 1/8W 820R 5% 1206	4	R115, R215, R230, R232
4804-1480-3	DIODE LL4148 SM	15	D102, D103, D105, D106, D202-D206, D211-D216
4853-9060-3	TR 3906 PNP SM	2	Q100, Q200
4860-0640-3	TR 3904 HFE 100-300 SM	2	Q201, Q202

QSC part #	Description	Qty.	Notes or Component Reference
Input Board			
150F-471J-5-OF	CC 50V 470pF 5% RL 8x3.5	4	C1, C2, C3, C4
2113-1337-1	XLR FEMALE CONN.	2	J101, J201
2113-1652-0	PHONE JACK 1/4" 6.4 mm	2	J102, J202
5200-4713-0	10 POLE DIP SWITCH	1	SW1
7010-9860-0	26 PIN IEC RIBBON CABLE	1	J1

Output Board

2113-1336-1	SPEAKON NEUTRIK 4 WIRE	2	J100, J200
2113-1338-0	4-POLE SPEAKER TERMINAL	1	J103
4154-2111-0	OUTPUT POST PLUG FOR CE	2	For European models only
4154-2121-0	OUTPUT POST PLUG FOR CE	2	For European models only